



请承认书

Version No.: V2.3

常州昊翔电子有限公司
 Changzhou HaoXiang Electronic Co., LTD
 客户名称
 CUSTOMER NAMED : _____
 产品名称
 COMMODITY : Speaker box
 产品型号
 MODEL NO : TDA-B28CC8TE8W10L50
 客户料号
 PART NO : _____

审核	秦皓	主办	吴伟星 Nov. 10, 2023
----	----	----	----------------------

客户承认栏			
承认		拒收	

常州昊翔电子有限公司

常州声翔电子有限公司

常州公司:

江苏省常州市戚区潞城镇富民路 259 号 266 号

TEL:86-519-88371720 13585451311

Website:www.tda-buzzer.com

E-mail: sales@tda-buzzer.com sales2@tda-buzzer.com sales3@tda-buzzer.com

南通工厂:

江苏如皋市郭元镇工业园辰翔工业区

TEL:86-513-87910588 871919168

A. MODEL: TDA-B28CC8TE8W10L50

B. SPECIFICATION

Test condition: Temperature: 15~35℃ Related Humidity:25~75% (GB/T9396-1996)

No.	Item	Specification	Condition
1	Dimension	Φ28.64*H8mm	
2	Impedance	8±15%Ω	
3	Output Sound Pressure Level	70±3dB(0.1Watt,0.1Meter)	At 850Hz
		92±3dB(0.1Watt,0.1Meter)	At 1700Hz
		93±3dB(0.1Watt,0.1Meter)	At 3400Hz
4	Power Rating	Normal: 1W	Sine wave
5	Operating temperature	- 30 ~ + 85℃	
6	Storage temperature	- 40 ~ + 85℃	
7	Abnormal Sound test	Must be Normal Tested By 2.83 Volts. Sine Wave at 500~3KHz /3 second.	
8	Polarity	Diaphragm shall move Forward while Apply a Positive DC Signal to the “+” or “Marked” Terminal.	
9	RoHS	The Speaker is RoHS compliant.	

C.ENVIRONMENT TEST

No.	Item	Condition	Evaluation standard
1	High Temperature	After being placed in a chamber at +85±2℃ for 96 hours.	Being placed for 4 hours at room temperature, speaker shall be measured. SPL should not deviate by ±3 dB, and nor any significant damage.
2	Low Temperature	After being placed in a chamber at -40±2℃ for 96 hours.	
3	Humidity	After being placed in a chamber at +40±2℃ and 90~%(RH) Relative Humidity for 48 hours.	

D. MECHANICAL CHARACTERISTICS

No.	Item	Test condition	Evaluation standard
2	Drop test	Dropped naturally from 75cm height onto the surface of 40mm thick wooden board of 5 directions for 1times.	SPL shall not deviate by ±3 dB from pre-test measurement, and nor any significant damage.

E.RELIABILTY TEST

No.	Item	Test conditions	Evaluation standard
1	Load test	White noise with HPF 2.83 Volts. 96 Hours.	After test, SPL shall not deviate by ±3 dB from pre-test measurement, and nor any significant damage .

F. MEASURING METHOD(SPEAKER MODE)

F-1. Test Condition

(a) STANDARD:

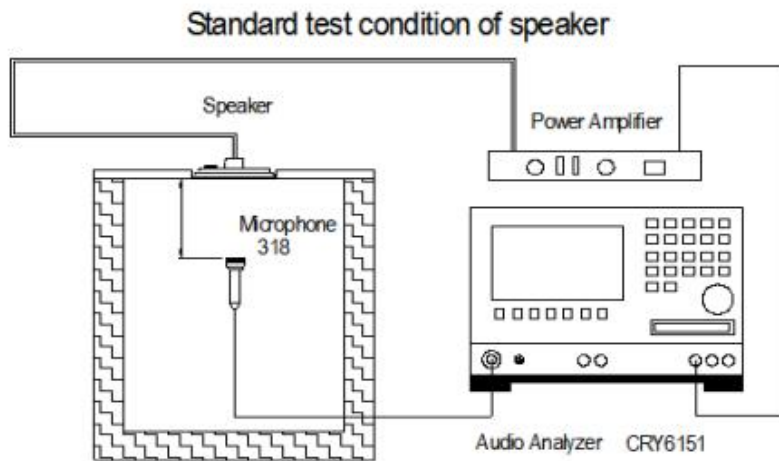
Temperature : 15 ~ 35°C, Relative humidity : 45% ~ 85%,
Atmospheric pressure : 860mbar to 1060mbar

(b) JUDGEMENT:

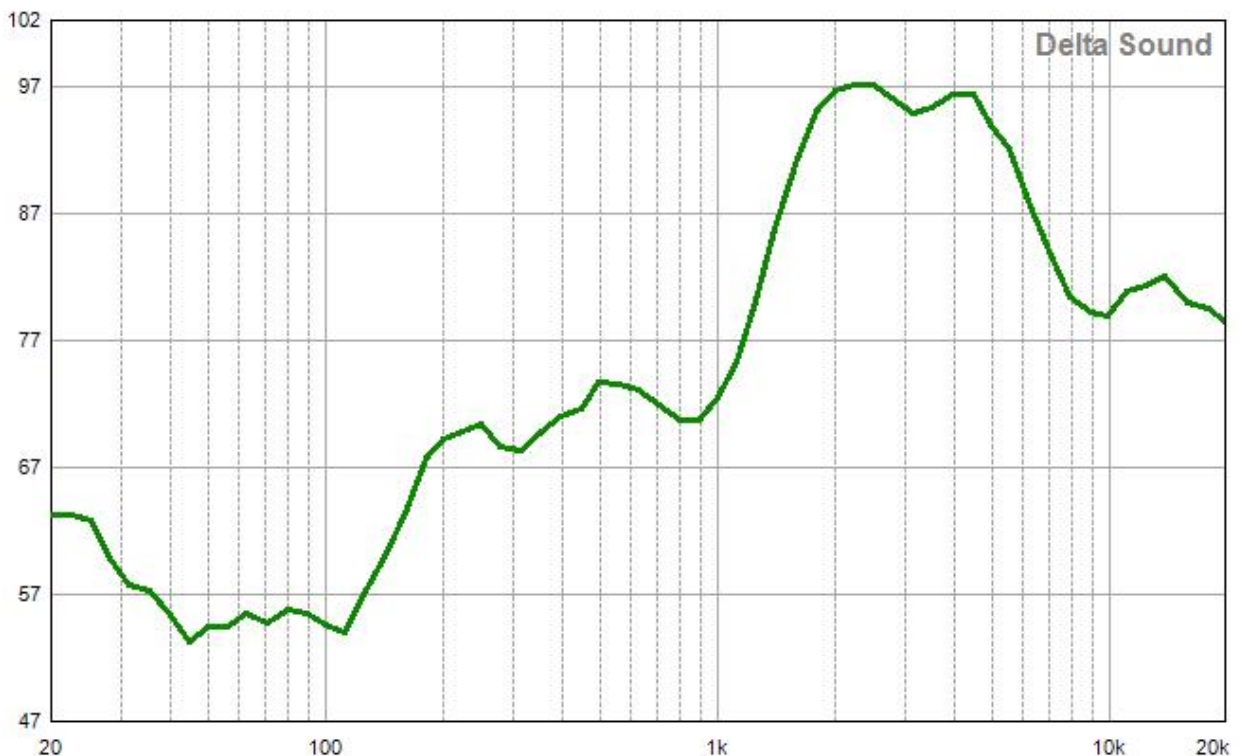
Temperature : $20 \pm 3^\circ\text{C}$, Relative humidity : 60% ~ 70%,
Atmospheric pressure : 860mbar to 1060mbar

F-2. Standard Test Fixture

1. Input Power : 0.1W
2. Zero Level : -dB
3. Mode : TSR
4. potentiometer Range : 50dB
5. Sweep Time : 0.5sec



G. FREQUENCY CURVE



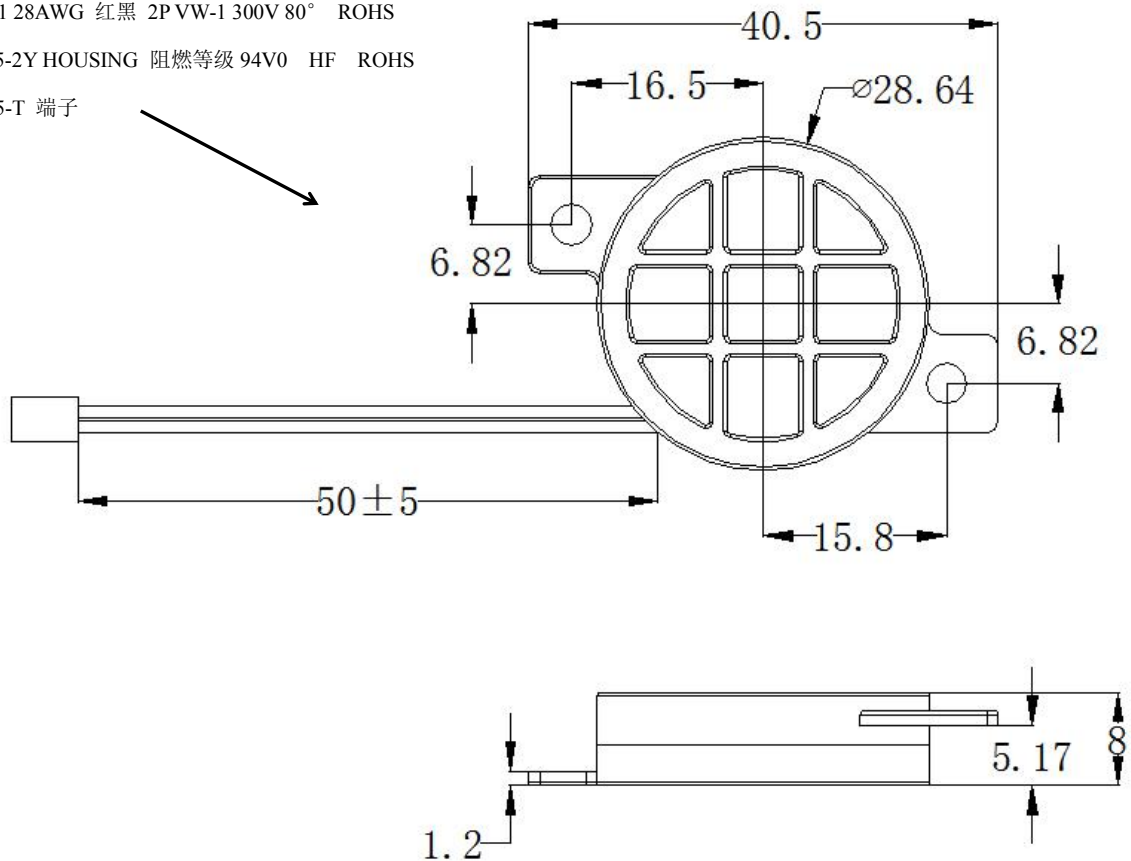
H.APPEARANCE DRAWING



线材: UL1061 28AWG 红黑 2P VW-1 300V 80° ROHS

胶壳: GH1.25-2Y HOUSING 阻燃等级 94V0 HF ROHS

端子: GH1.25-T 端子



Unit:mm Tolerance : $\pm 0.5\text{mm}$

I.NOTICE ON PRODUCT STORAGE

a. Please store the products in room where the temperature / humidity is stable. And avoid such places where there are large temperature changes. Please store the products under the following conditions :

Temperature : -10 to +40 (degree C)

Humidity : 15 to 85% R.H.

b. Expire date (Shelf life) of the products is 6 months after delivery under the conditions of a sealed and an unopened package. Please use the products within 6 months after delivery.If you store the products for a long time (more than 6months), use carefully because the products may be degraded in the solder-ability and/or rusty.

